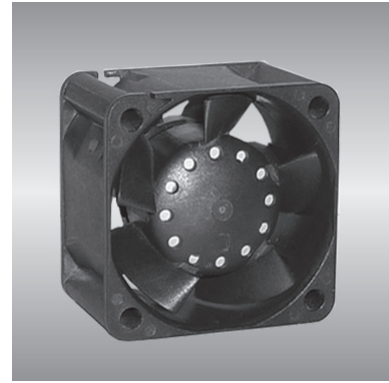


# 40 AG series

x40x28mm



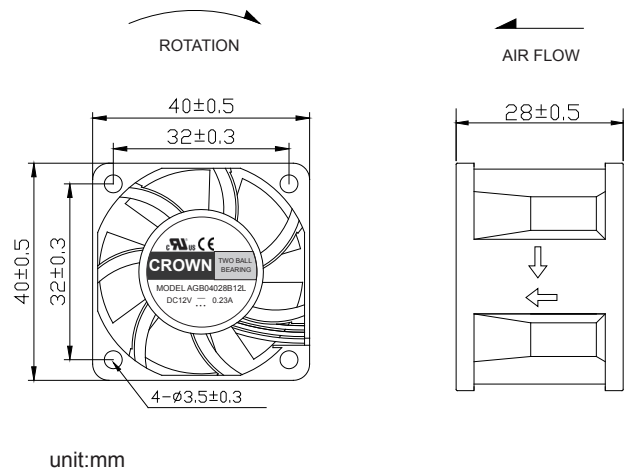
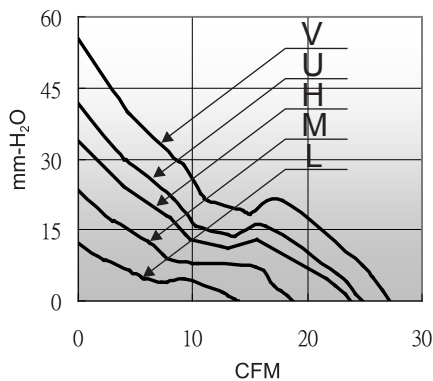
## General Specifications

- Motor : 4 Poles brushless DC motor
- Frame & Impeller : Plastic(UL 94V-0)
- Storage temperature : -40° to +75°
- Operating temperature : -10° to +70°

## Major Characteristic Parameters

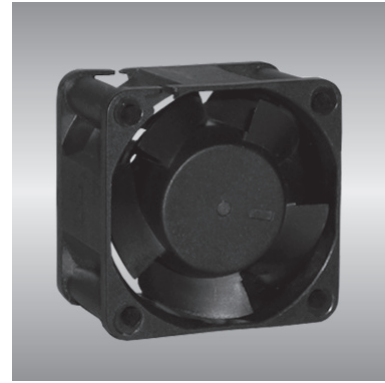
Model	*Bearing System	Rated Voltage	Operating Voltage Range	Rated Current	Rated Speed	Maximum Air Flow		Maximum Static Pressure		Sound Level	Weight
Part NO.	B / S / F	V	V	A	RPM	m <sup>3</sup> /min	CFM	mm-H <sub>2</sub> O	In-H <sub>2</sub> O	dBA	g
AGB04028_12L	B	12	7.0~13.2	0.18	8000	0.39	13.9	11.6	0.46	40.0	40
AGB04028_12M	B	12	7.0~13.2	0.26	9500	0.45	15.9	17.6	0.69	42.0	40
AGB04028_24M	B	24	14.0~26.4	0.15	9500	0.45	15.9	17.6	0.69	42.0	40
AGB04028_12H	B	12	7.0~13.2	0.35	11000	0.53	18.7	23.4	0.92	48.0	40
AGB04028_24H	B	24	14.0~26.4	0.20	11000	0.53	18.7	23.4	0.92	48.0	40
AGB04028_12U	B	12	7.0~13.2	0.55	13000	0.67	23.8	33.7	1.32	54.0	40
AGB04028_24U	B	24	14.0~26.4	0.27	13000	0.67	23.8	33.7	1.32	54.0	40
AGB04028_12V	B	12	7.0~13.2	0.70	15000	0.70	24.8	41.6	1.64	58.0	40

\*Bearing system B: Two Ball Bearing F: Fluid Bearing S: Sleeve Bearing



# 40 AG series

x40x28mm



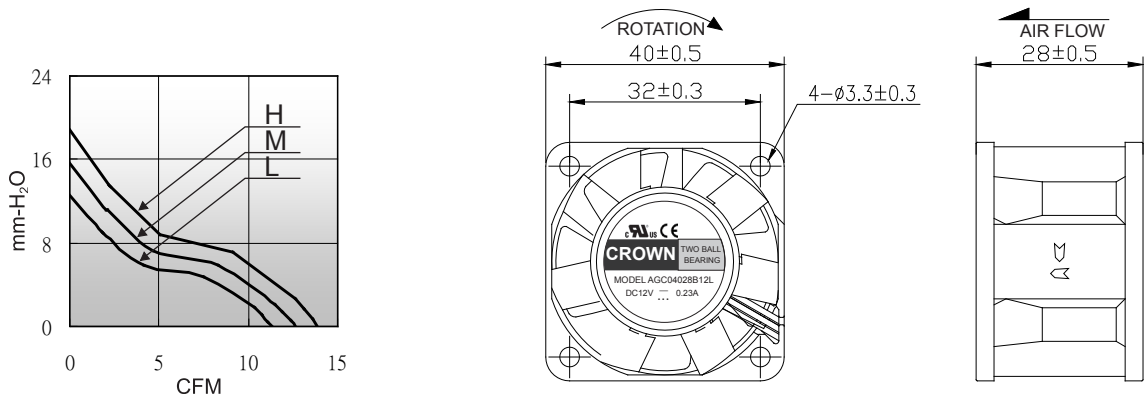
## General Specifications

- Motor : 4 Poles brushless DC motor
- Frame & Impeller : Plastic(UL 94V-0)
- Storage temperature : -40° to +75°
- Operating temperature : -10° to +70°

## Major Characteristic Parameters

Model	*Bearing System	Rated Voltage	Operating Voltage Range	Rated Current	Rated Speed	Maximum Air Flow		Maximum Static Pressure		Sound Level	Weight
Part NO.	B / S / F	V	V	A	RPM	m <sup>3</sup> /min	CFM	mm-H <sub>2</sub> O	In-H <sub>2</sub> O	dBA	g
AGF04028_12L	B	12	7.0~13.2	0.23	9000	0.33	11.61	12.15	0.48	40.0	40
AGF04028_24L	B	24	14.0~26.4	0.14	9000	0.33	11.61	12.15	0.48	40.0	40
AGF04028_12M	B	12	7.0~13.2	0.32	10000	0.37	12.90	15.00	0.59	43.3	40
AGF04028_24M	B	24	14.0~26.4	0.17	10000	0.37	12.90	15.00	0.59	43.3	40
AGF04028_12H	B	12	7.0~13.2	0.42	11000	0.39	13.90	18.80	0.74	46.0	40
AGF04028_24H	B	24	14.0~26.4	0.21	11000	0.39	13.90	18.80	0.74	46.0	40

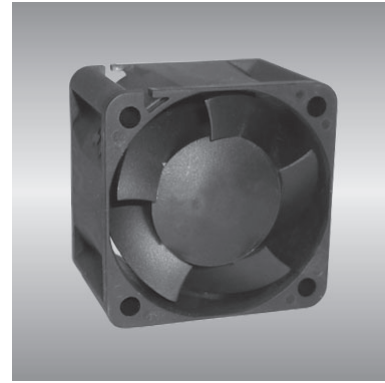
\*Bearing system B: Two Ball Bearing F: Fluid Bearing S: Sleeve Bearing



unit:mm

# 40 AG series

x40x28mm



## General Specifications

- Motor : 4 Poles brushless DC motor
- Frame & Impeller : Plastic(UL 94V-0)
- Storage temperature : -40° to +75°
- Operating temperature : -10° to +70°

## Major Characteristic Parameters

Model	*Bearing System	Rated Voltage	Operating Voltage Range	Rated Current	Rated Speed	Maximum Air Flow		Maximum Static Pressure		Sound Level	Weight
Part NO.	B / S / F	V	V	A	RPM	m <sup>3</sup> /min	CFM	mm-H <sub>2</sub> O	In-H <sub>2</sub> O	dBA	g
AGV04028B12H	B	12	7.0~13.2	0.30	13000	0.43	15.2	23.37	0.92	42.6	40
AGV04028B12U	B	12	7.0~13.2	0.40	15000	0.51	17.8	30.48	1.20	46.4	40
AGV04028B12V	B	12	7.0~13.2	0.60	17000	0.61	21.3	38.86	1.53	49.5	40

\*Bearing system B: Two Ball Bearing F: Fluid Bearing S: Sleeve Bearing

